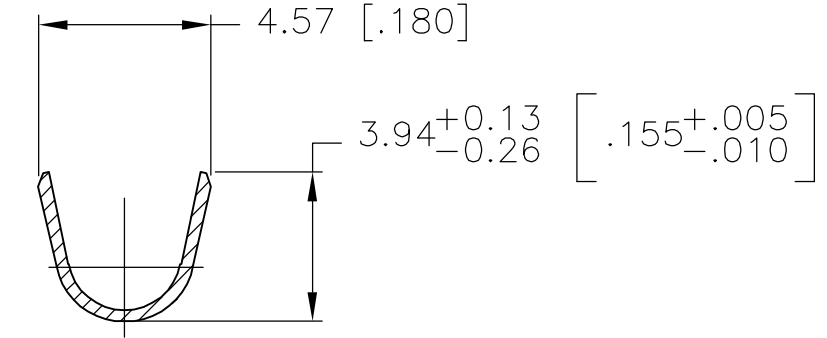
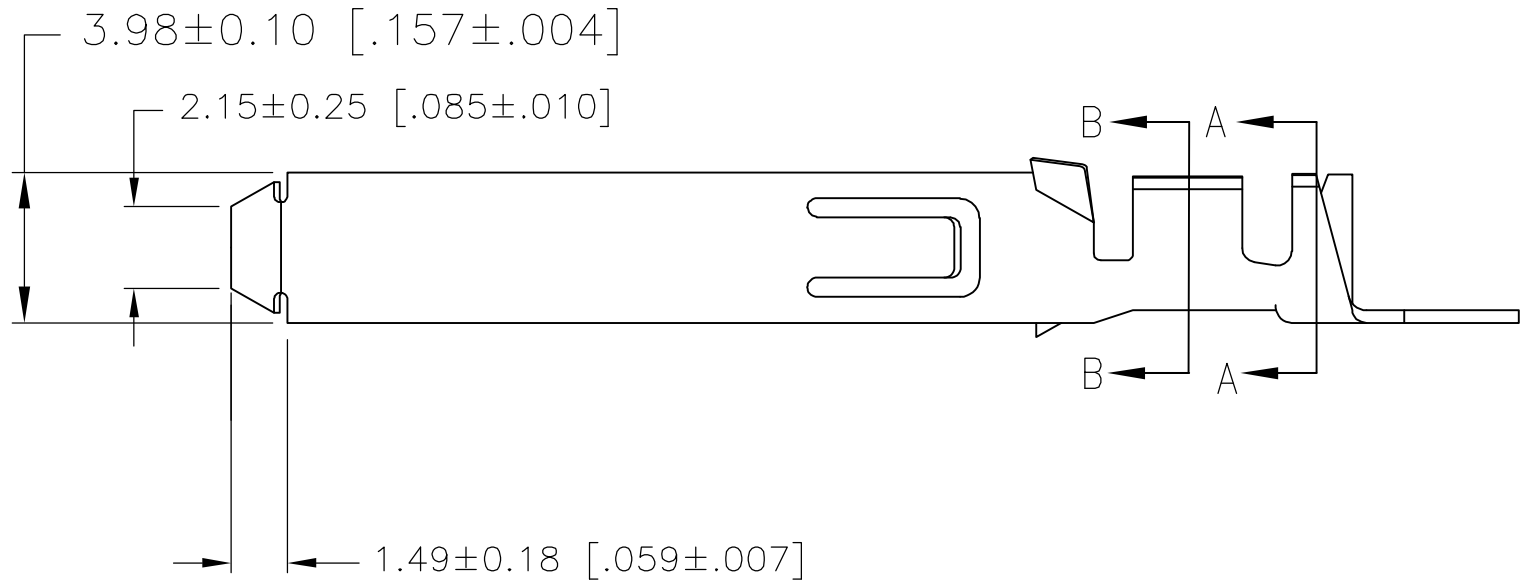
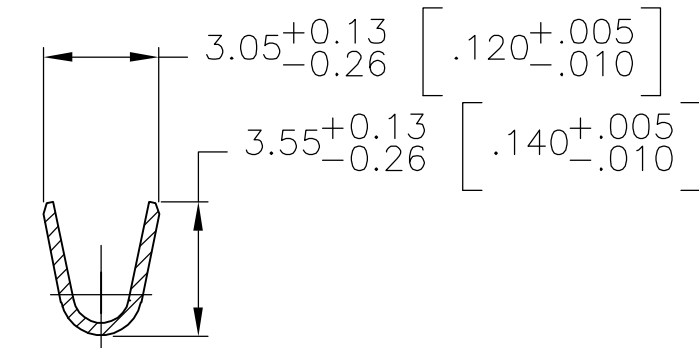
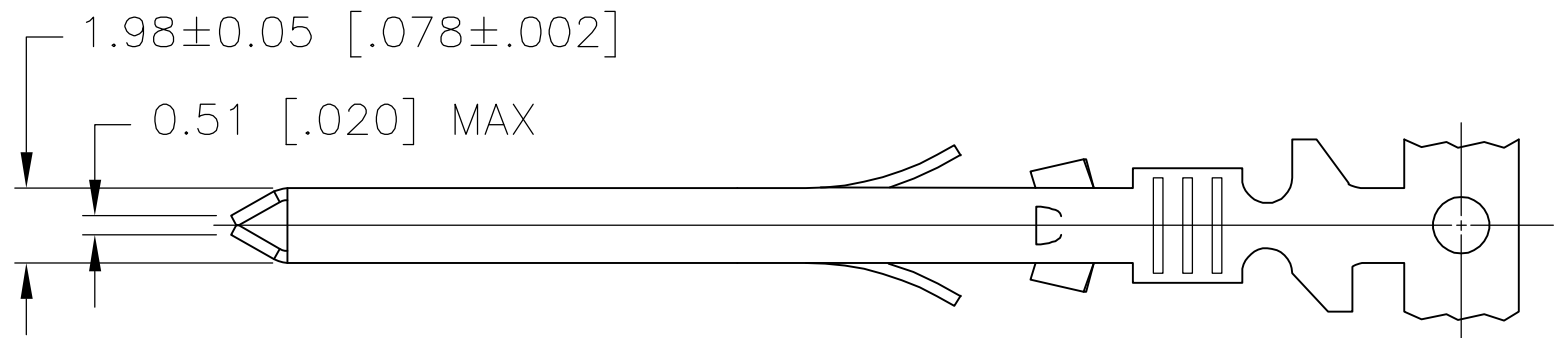


THIS DRAWING IS UNPUBLISHED. RELEASED FOR PUBLICATION
 © COPYRIGHT - BY TYCO ELECTRONICS CORPORATION. ALL RIGHTS RESERVED.

LOC	DIST	REVISIONS			
P	LTR	DESCRIPTION	DATE	DWN	APVD
CM	0				
	C1	REVISED PER ECO-05-011422	21OCT05	KW	DB



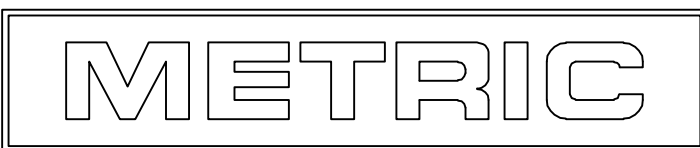
SECTION A-A



SECTION B-B

1. ACCOMMODATES 14 THRU 18 AWG WIRE INSULATION.
 RANGE 2.03 - 3.43 [.080 - .135] DIA.

TIN	208914-4
TIN-LEAD	208914-2
FINISH	PART NUMBER



THIS DRAWING IS A CONTROLLED DOCUMENT.		DWN K. WHITAKER 26OCT2005	Tyco Electronics Corporation Harrisburg, PA 17105-3608		
DIMENSIONS: mm [INCHES]	TOLERANCES UNLESS OTHERWISE SPECIFIED:	CHK D. BOSSI 26OCT2005	NAME CONTACT, RECEPTACLE, POWER CORD		
	0 PLC ± -	APVD D. BOSSI 26OCT2005	PRODUCT SPEC -		
	1 PLC ± -	APPLICATION SPEC -	SIZE CAGE CODE DRAWING NO RESTRICTED TO		
MATERIAL -	FINISH -	WEIGHT -	A3	00779	C=208914
CUSTOMER DRAWING			SCALE 5:1	SHEET 1 OF 1	REV C1